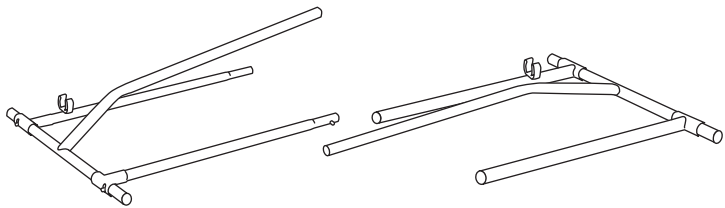
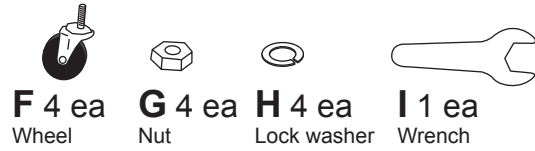


6339-1938 Commercial Garment Rack ©2011 Whitmor, Inc.



A 1 ea
Male bottom frame

B 1 ea
Female bottom frame



F 4 ea
Wheel

G 4 ea
Nut

H 4 ea
Lock washer

I 1 ea
Wrench

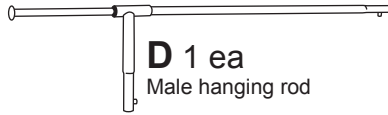


J 4 ea
End cap

Assembly Time:
Less than 15 minutes.



C 2 ea
Center pole



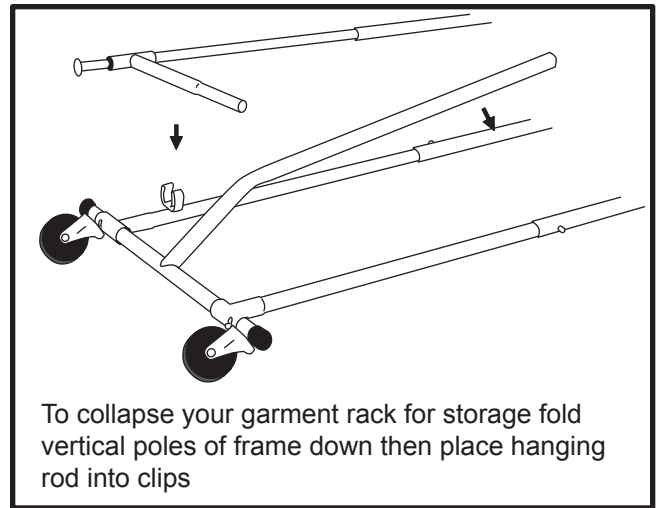
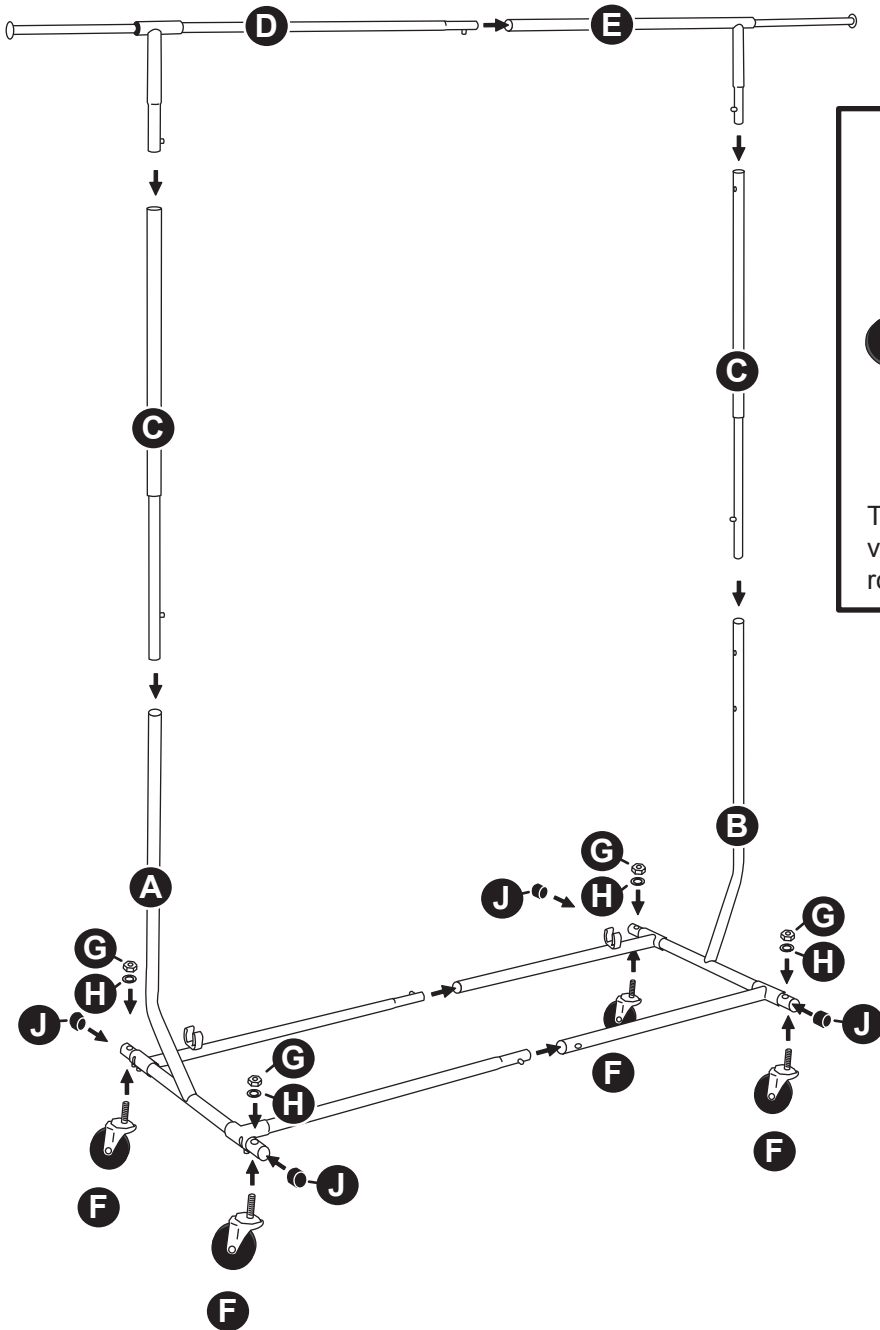
D 1 ea
Male hanging rod



E 1 ea
Female hanging rod

This product's intended use is for hanging garments.

Tools Needed: No additional tools required. Wrench (I) provided.



Part	Reference
A	F7012
B	F7013
C	F7343
D	F7344
E	F7345
F	F7017
G	F7018
H	F7019
I	F7021
J	F7024

MADE IN CHINA



8680 Swinnea Road • Suite 103 • Southaven, MS • 38671

NEED HELP? For help with assembly, or if you are missing a part, please call Whitmor's Customer Service Department, 1-888-944-8667 between 8 a.m. and 4:30 p.m. (Central Standard Time) Monday through Friday. Or email: customer_service@whitmor.com. Visit us online at www.whitmor.com