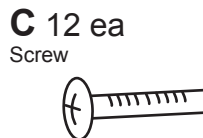


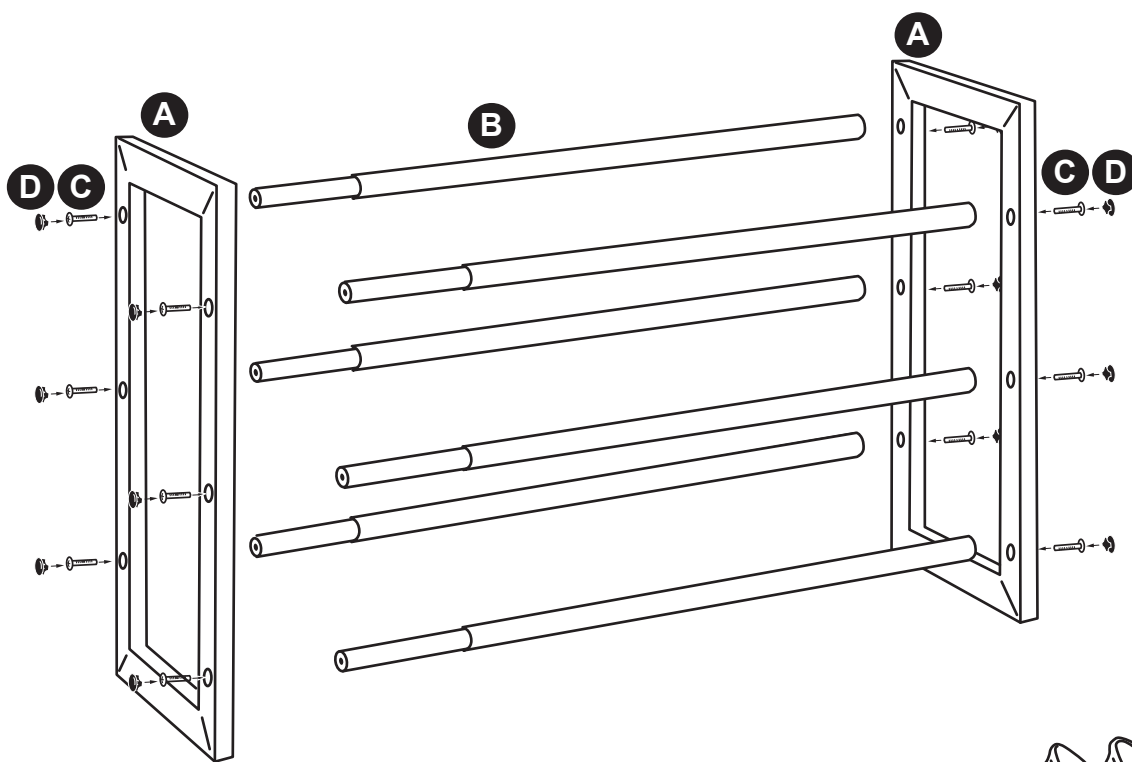
6026-240 Wood & Chrome Shoe Rack ©2006 Whitmor



Assembly Time:
Less than one hour.

This product is intended for storing shoes.

Tools Needed: A Phillips screw driver is needed to tighten screws (C).



Note: Make sure wooden side frames (A) have larger holes facing out.

Part	Reference
A	F5967
B	F5968
C	F5969
D	F5970

MADE IN CHINA

For missing parts or assistance:
Whitmor/Customer Service Department
P.O. Box 28 • 17539 Hwy 64 • Earle, AR • 72331
1-888-944-8667
customer_service@whitmor.com

