

# 6822-150-B Clothes Closet ©2009 Whitmor



**A** 4 ea  
Corner support



**B** 1 ea  
Clothes rod



**C** 4 ea  
Vertical frame tube



**D** 4 ea  
Horizontal frame tube



**E** 1 ea  
Center spring support



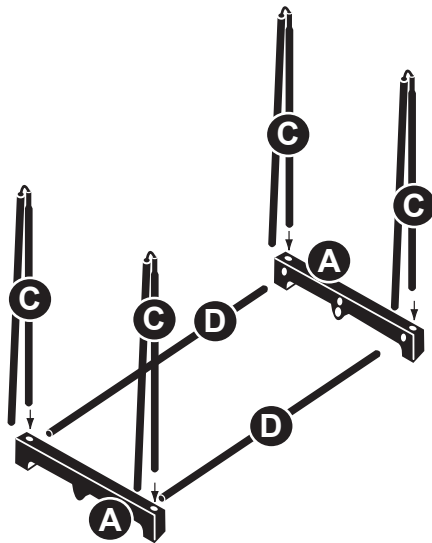
**F** 1 ea  
Cover

**Assembly Time:**  
Less than 1 hour.

This product's intended use is for storing clothes.

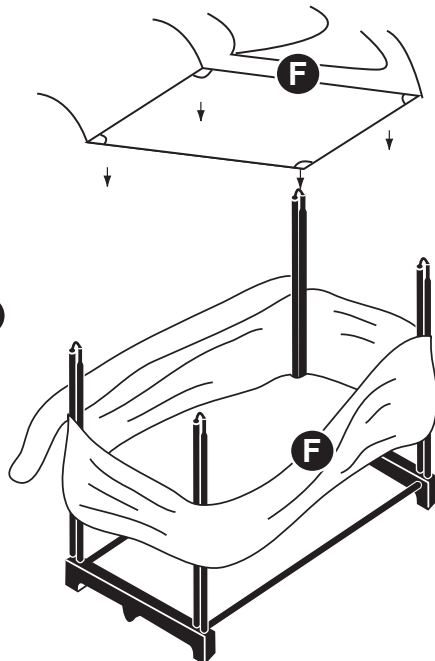
**Tools Needed:** No tools required.

**Note:** All metal parts must be inserted firmly and completely into the plastic parts.



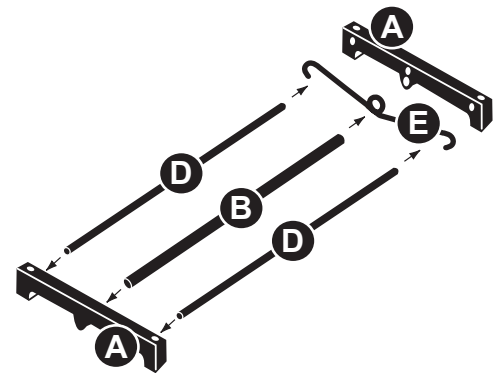
**STEP 1.** To assemble the lower frame, insert two horizontal frame tubes (D) into corner support (A). Insert four vertical frame tubes (C) into holes in top of corner support. Do not assemble the vertical frame tube sections together yet.

**Note:** For easier assembly, unzip cover before installing.



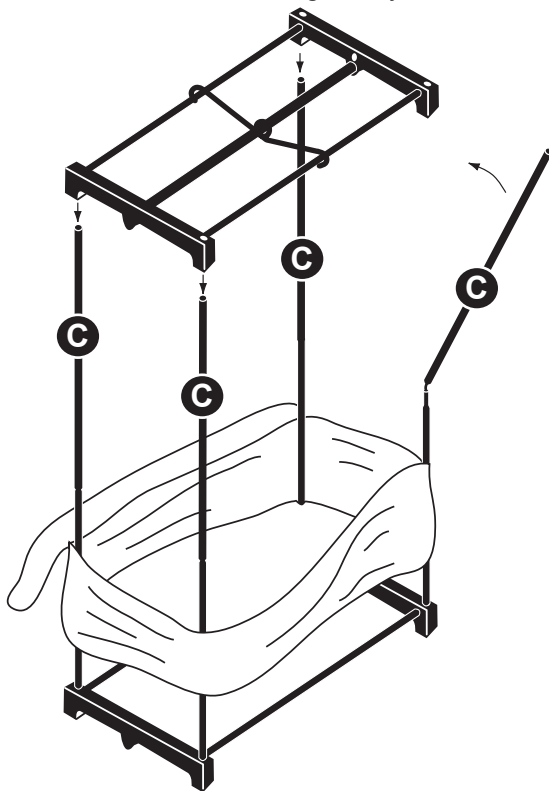
**STEP 2.** Unzip zipper on cover (F) and carefully fit holes in bottom of cover over the vertical frame tubes. Slide cover down and carefully lay the cover back.

**Note:** Closet rod (B) is wider in diameter than horizontal frame tubes (D).

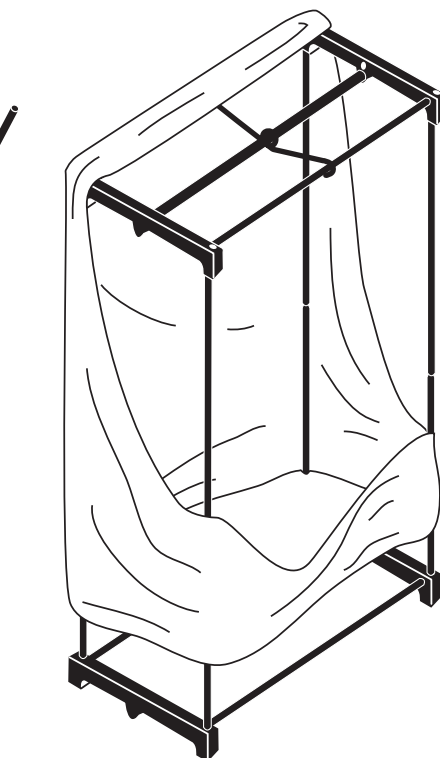


**STEP 3.** To assemble top of frame, slide center support spring (E) onto clothes rod (B). Insert two horizontal frame tubes (D) and the clothes rod (B) into the two remaining corner supports (A) with center spring support hooked around horizontal frame tubes (D). The clothes rod goes into the larger, lower center hole of corner support.

**Note:** Although your clothes closet can be assembled by one person, it is recommended that two people install the cover.



**STEP 4.** Complete assembly by unfolding the vertical frame tubes (C) and placing the two sections together. Place assembled upper section (assembled in step 3) onto end of the vertical frame tubes.



**STEP 5.** Lift cover up over the top of the frame, carefully fitting the corners of the cover over the top corners of the frame. Slide the bottom of the cover downwards evenly to the base of the frame.

Part	Reference
A	F6947
B	F6948
C	F6949
D	F6950
E	F6951
F	F6952

MADE IN CHINA  
**whitmor**

8680 Swinnea Road • Suite 103 • Southaven, MS • 38671

**NEED HELP?** For help with assembly, or if you are missing a part, please call Whitmor's Customer Service Department, 1-888-944-8667 between 8 a.m. and 4:30 p.m. (Central Standard Time) Monday through Friday. Or email: [customer\\_service@whitmor.com](mailto:customer_service@whitmor.com)