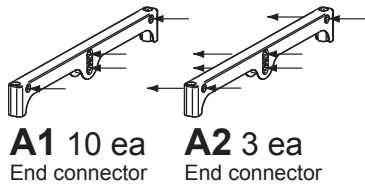
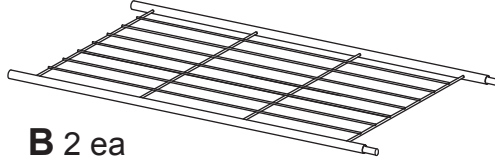


6779-3044 Double Rod Standing Closet ©2011, Whitmor

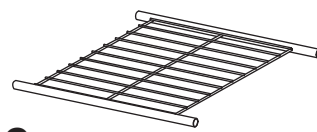


A1 10 ea
End connector

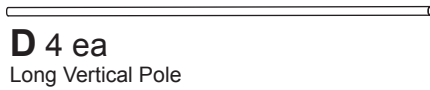
A2 3 ea
End connector



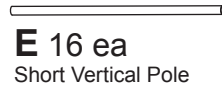
B 2 ea
Long Shelf



C 5 ea
Short Shelf



D 4 ea
Long Vertical Pole



E 16 ea
Short Vertical Pole



F 2 ea
Hanging rod

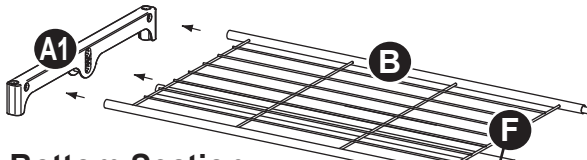
Assembly Time:
Less than 30 minutes.

This product's intended use is for hanging garments and storage.

Tools Needed: No tools required.

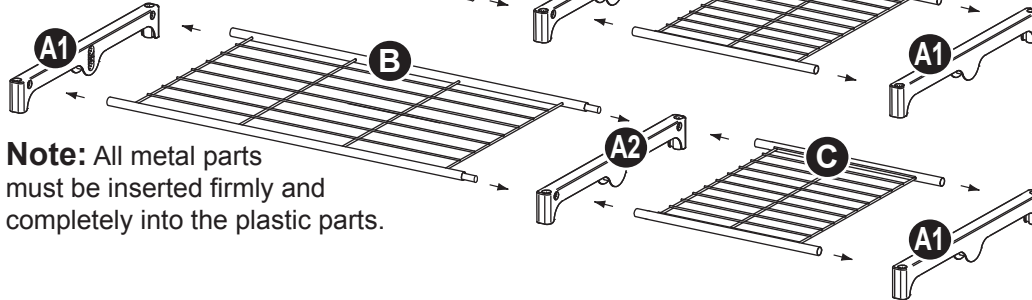
STEP 1. Start by assembling the top and bottom sections. Insert parts (B) and (C) into parts (A1) and (A2) as shown below. Insert one hanging rod (F) into top section.

Top Section:



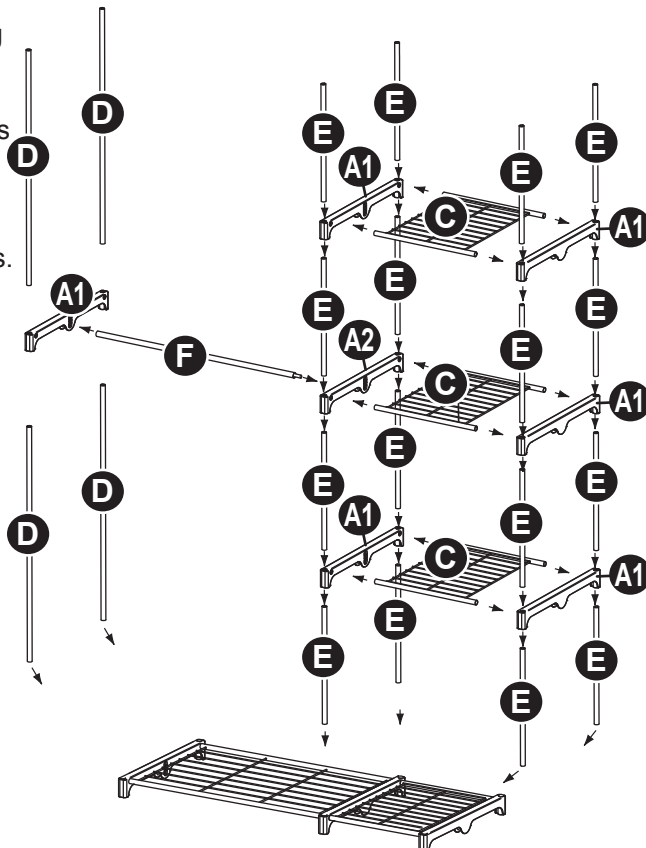
Note: Short shelf (C) should be inserted into the stickered side of (A2).

Bottom Section:

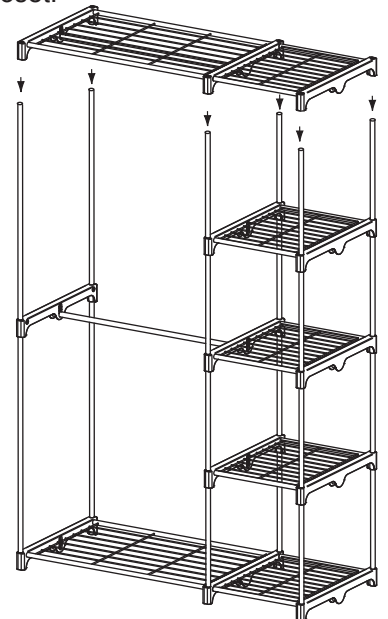


Note: All metal parts must be inserted firmly and completely into the plastic parts.

STEP 2. Building up from the assembled bottom section insert poles (D) and (E) and end connectors (A1) and (A2) as the diagram shows. Place other hanging rod (F) between middle end connectors (A1) and (A2).



STEP 3. Place the assembled top section onto the top of the vertical poles. Assembly is now complete. Enjoy your new Whitmor Double Rod Closet.



Part	Reference
A1	F6864
A2	F6500
B	F6867
C	F6868
D	F6869
E	F6870
F	F7394

MADE IN CHINA



8680 Swinnea Road • Suite 103 • Southaven, MS • 38671

NEED HELP? For help with assembly, or if you are missing a part, please call Whitmor's Customer Service Department, 1-888-944-8667 between 8 a.m. and 4:30 p.m. (Central Standard Time) Monday through Friday. Or email: customer_service@whitmor.com