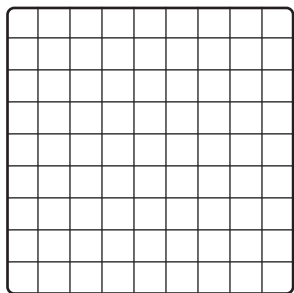


6071-1723 White Wire Storage Cubes ©2008 Whitmor



A 17 ea
White wire grid



B 20 ea
White grid connector

Assembly

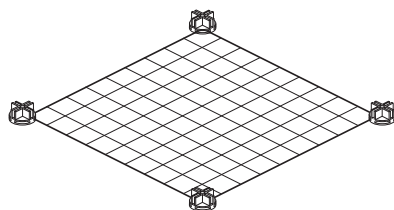
Time:
Less than
30 minutes.

This product's intended use is for
added shelving space anywhere
in the home or office.

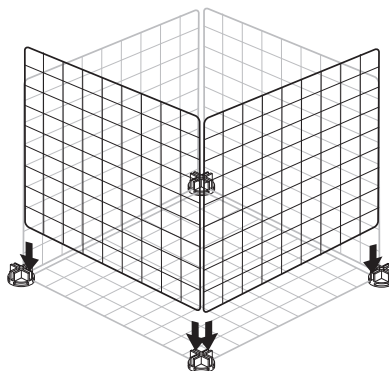
Tools Needed:

No tools required.

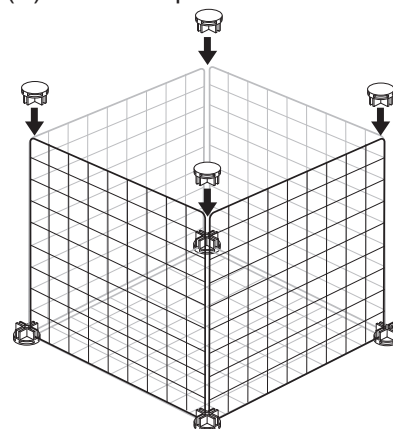
STEP 1. On the floor, attach four connectors (B) to four corners of a wire grid panel (A) as shown.



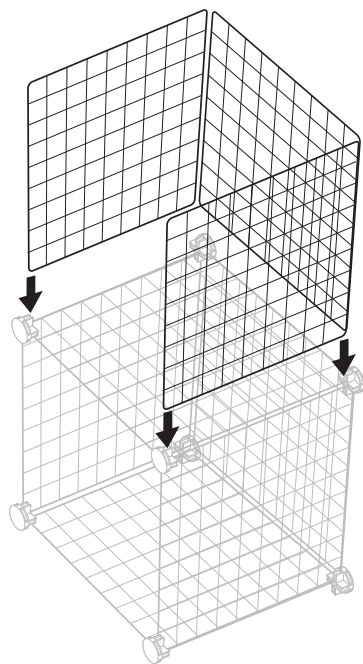
STEP 2. Add four grid panels (A) by sliding into slots as shown.



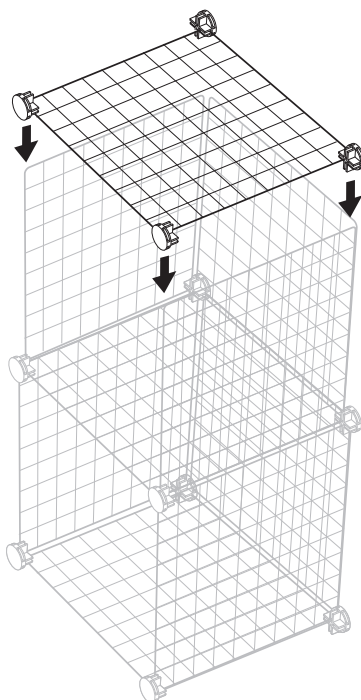
STEP 3. Slide four connectors (B) onto the top corners of cube.



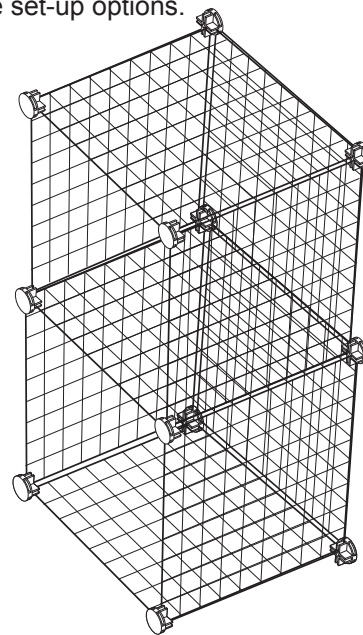
STEP 4. Turn the cube on side and insert three grid panels (A) into slots.



STEP 5. Add top panel with connectors as shown.



STEP 6. Two finished cubes should look like this. Repeat steps 4 and 5 until all four cubes are assembled. See outside of box for possible set-up options.



Part	Reference
A	F6700
B	F6701



MADE IN CHINA

For missing parts or assistance:
Whitmor/Customer Service Department
P.O. Box 28 • 17539 Hwy 64 • Earle, AR • 72331
1-888-944-8667
customer_service@whitmor.com