

6066-4046 Sliding Basket with Shelf

©2012 Whitmor, Inc.

Assembly Time:
Less than 30 minutes.

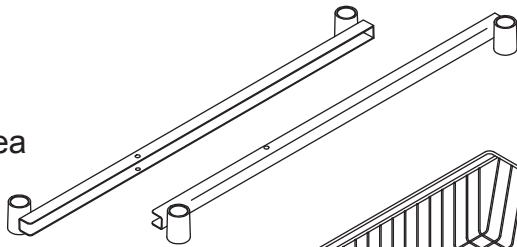
This product's intended use is for undercabinet, shelf or counter storage.

Tools Needed:

Phillips screwdriver, 7mm wrench



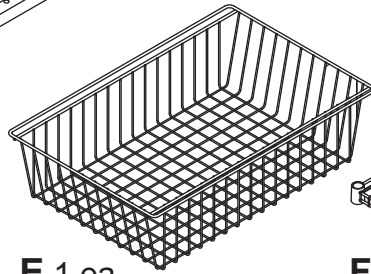
A 16 ea
Sleeve



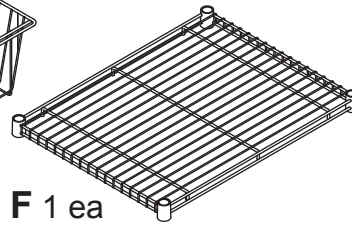
C 1 ea Left sliding rail
D 1 ea Right sliding rail



B 4 ea
Vertical pole



E 1 ea
Basket



F 1 ea
Shelf



G 4 ea
Foot



H 2 ea
Screw

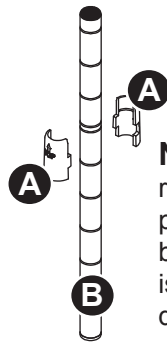


I 2 ea
Nut



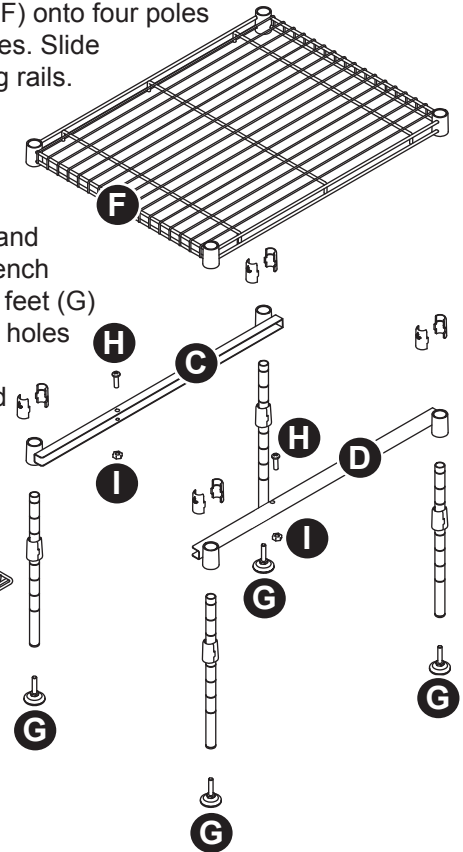
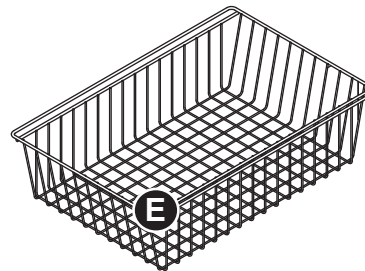
J 1 ea
Wrench

STEP 1. Snap two sleeves (A) onto poles in the desired position for the basket to clear bottom of cabinet (or the position noted to the right). The sleeves are marked with a directional arrow to show proper placement. Use grooves on poles to ensure even rail placement among the four poles. NOTE: Place only enough sleeves to assemble sliding rails (C&D). This step will be repeated for shelf.



NOTE: Our recommended placement for the basket sleeve set is on the lower double groove.

STEP 2. Following the diagram below, slide the left and right rails (C&D) onto the four poles until seated on sleeves. Repeat step 1 placing remaining poles sleeves for shelf in desired position. Slide shelf (F) onto four poles until seated on sleeves. Slide basket (E) into sliding rails. With basket in place, insert screws (H) through holes in left and right rails. Place nuts (I) onto screws and tighten with 7mm wrench (not included). Insert feet (G) into bottom threaded holes in vertical poles. Tighten with provided wrench (J).



Part	Reference
A	F7417
B	F7418
C	F7419
D	F7420
E	F7421
F	F7422
G	F7423
H	F7424
I	F7425
J	F7426



8680 Swinnea Road • Suite 103 • Southaven, MS • 38671

NEED HELP? For help with assembly, or if you are missing a part, please call Whitmor's Customer Service Department, 1-888-944-8667 between 8 a.m. and 4:30 p.m. (Central Standard Time) Monday through Friday. Or email: customer_service@whitmor.com. Visit us online at www.whitmor.com

STEP 3. Assembly is now complete and your sliding shelf basket can be placed inside your cabinet, or placed on a counter or shelf.

