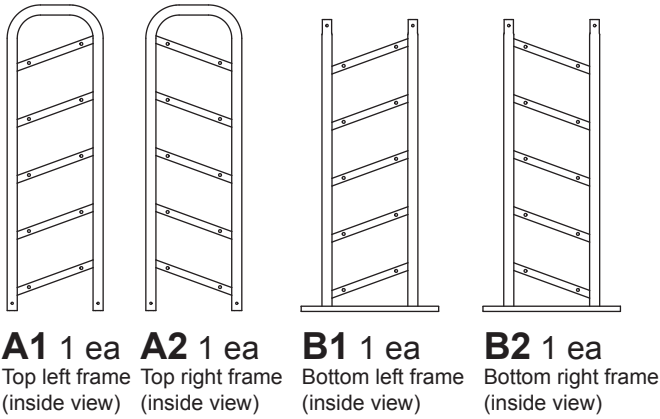


6060-3510 Chrome Shoe Tower - 50 Pair ©2012 Whitmor



C 20 ea
Horizontal bar

D 40 ea
Screw

E 4 ea
Plug (may be already attached to parts (B1 & B2)).

F 2 ea
Wheel

G 2 ea
Wheel with lock

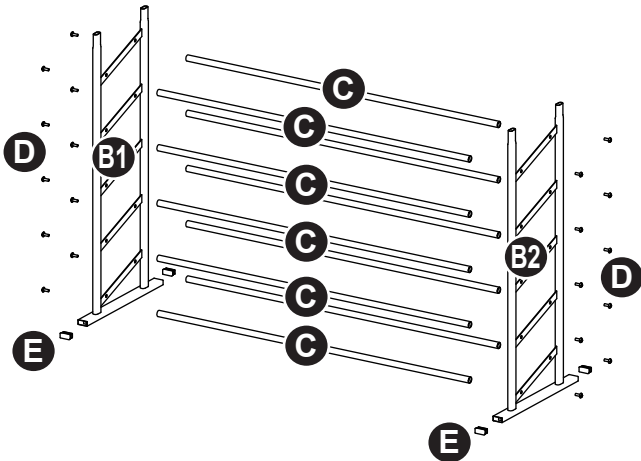
H 1 ea
Wrench

Assembly Time:
Less than 30 minutes.

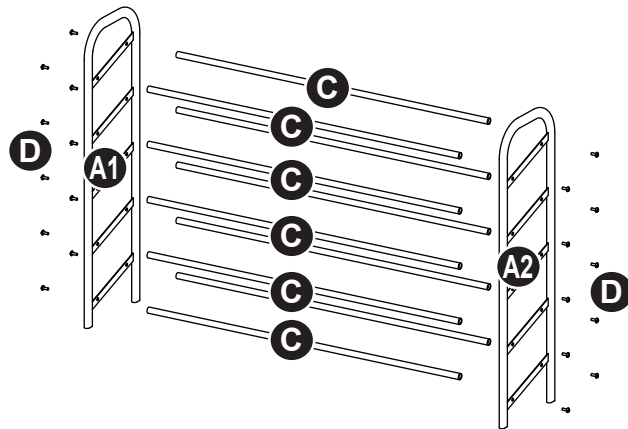
This product is for shoe storage

Tools Needed: Phillips screwdriver. Wrench is provided

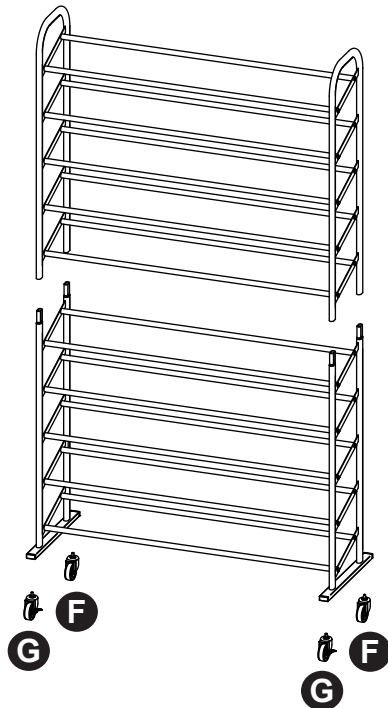
STEP 1. Assemble the bottom section by attaching horizontal bars (C) to bottom frames (B1 & B2) using screws (D). Leave screws loose at this point, they will be tightened later. Press plugs (E) onto bottom frames if they are not already attached.



STEP 2. Assemble the top section by attaching the remaining horizontal bars (C) to the top frames (A1 & A2) using remaining screws (D). Leave screws loose at this point, they will be tightened later.



STEP 3. Place assembled top section on top of assembled bottom section and press down until the two sections are firmly attached. Now tighten all screws with screwdriver (not provided). Attach wheels (F & G) and tighten with provided wrench (H).



Part	Reference
A1	F7322
A2	F7323
B1	F7324
B2	F7325
C	F7149
D	F7150
E	F7151
F	F7152
G	F7153
H	F7154

MADE IN CHINA



8680 Swinnea Road • Suite 103 • Southaven, MS • 38671

NEED HELP? For help with assembly, or if you are missing a part, please call Whitmor's Customer Service Department, 1-888-944-8667 between 8 a.m. and 4:30 p.m. (Central Standard Time) Monday through Friday. Or email: customer_service@whitmor.com. Visit us online at www.whitmor.com